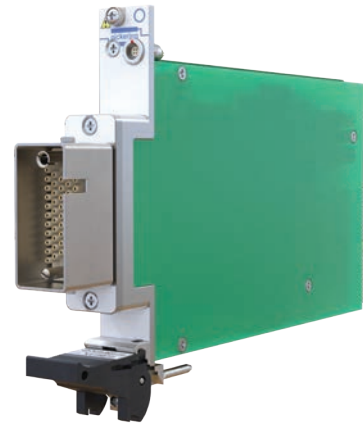


- Cable Assemblies
- Robust Construction
- 3 Year Warranty




Simple Connection

Pickering connection solutions provide a simple way of connecting to a user's device under test or remote connection. The products in this data sheet include connector to unterminated cable assemblies with ferrules or a simple cut end.



Examples of Pickering PXI and LXI Products using 51-Pin High Voltage REDEL Connectors

Cable Assemblies

Description		End 1	End 2		Cable Length	Product Order Code and Part Number	Data Sheet Page
		Gender & Cable Exit	Gender & Cable Exit	Options			
	Cable Assy, 51-Pin High Voltage REDEL to Unterminated.	Male, Rear Cable Exit, Latch Clips	NA	Ferrules	1 m 2 m	A051KMR-F-HA100 A051KMR-F-HA200	3
				Cut End	1 m	A051KMR-C-HA100	
	Cable Assy, 51-Pin High Voltage REDEL to Unterminated, 29-Wire Part Populated Version	Male, Rear Cable Exit, Latch Clips	NA	Ferrules	1 m 2 m	A051KMR-F-HA100-29 A051KMR-F-HA200-29	

Please click on the page number to navigate to the data sheet page required. Return to this page via the **C** button.

PRELIMINARY DATA

PRELIMINARY DATA

- High Voltage Cable Assembly
- High Specification, Highly Flexible Cable
- Fully Screened Cable Construction with Strain Relief
- Fully Tested

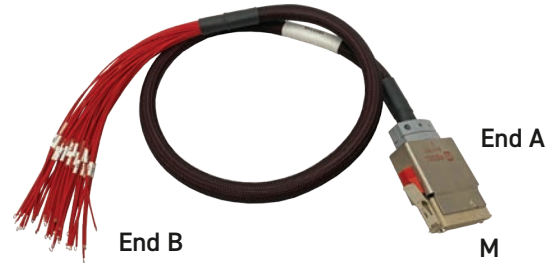
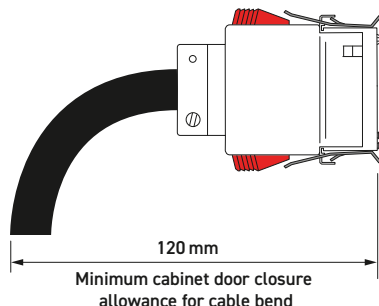
This series of high voltage cables utilize rectangular connectors and are ideal for use in size restricted areas.

29-Pin part populated versions of this cable assembly are provided for PXI module 40/42-323-902-H1.

Technical Specification

Connector Type (End A):	51-Pin High Voltage REDEL
Gender	Male
Securing Method	Latch clips
Unterminated End (End B):	
Wire End Options	Ferrules or Cut End
Free Wire Length	130 mm nominal
Individual Wire Labelling	To connector pins. A white/black screen pigtail is included
Maximum Current	0.25 A
Maximum Voltage	9 kV
Connector:	
Contact Material	Brass
Contact Resistance	<8 mOhm
Cable Exit	Rear
Overall Size (Approx)	H53 x W19.6 x D75.5 mm
Cable Type:	
Conductor: Material	Silver plated copper wire
Strands	19/38 (26AWG)
Insulation	FEP
Outer Sleeve	Polyester
Screened Construction	Yes (Cable screen connected to backshell)
Additional Braided Sleeve	Yes
Cable O/D	13 mm
Minimum Bend Radius	30 mm
Door Closure Allowance	120 mm (see diagram)

Note: A dimensioned drawing of the connector and details of the male pin can be found on the following page.



51-Pin REDEL Cable Assy - Male to Unterminated

Product Compatibility

End A M → F

End B Options

Ferrules
Dia as Sleeve
7 mm Nom
Soldered or Crimped Construction

Cut End
Simple Cut

End A
End B
Cable Length

End A - Male
51-Pin Mating Face

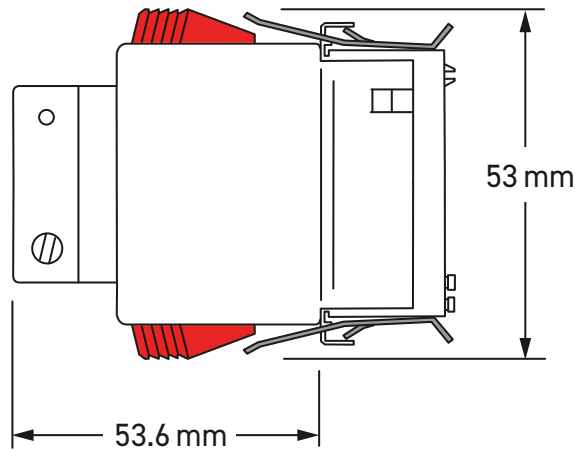
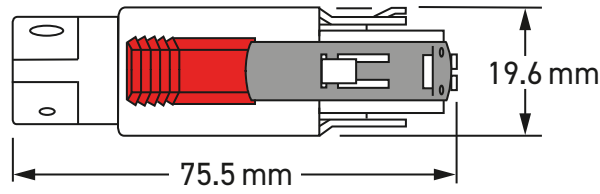
End A - Male
29-Pin Mating Face

Product Order Codes

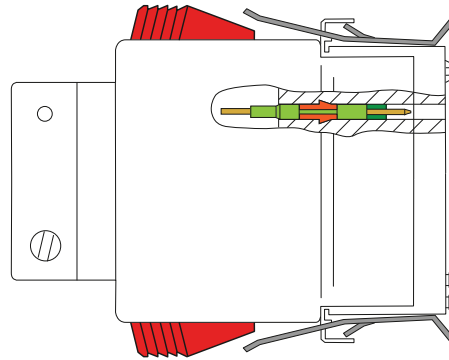
51-Pin High Voltage REDEL Cable Assy, 0.25 A, Male to Unterminated, including 29-Wire Part-Populated Versions, Ferrules, 1.0 m Long, 51 Wires	A051KMR-F-HA100
Ferrules, 2.0 m Long, 51 Wires	A051KMR-F-HA200
Ferrules, 1.0 m Long, 29 Wires	A051KMR-F-HA100-29
Ferrules, 2.0 m Long, 29 Wires	A051KMR-F-HA200-29
Cut End, 1.0 m Long, 51 Wires	A051KMR-C-HA100

51-Pin REDEL Connector

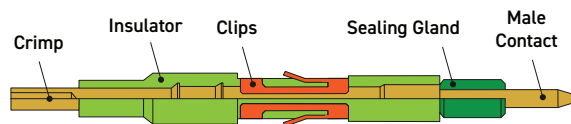
PRELIMINARY DATA



Connector Dimensions



Connector Section Showing Male Contact



Detail of the Male Contact